

DUO

EN54-23 approved Dual colour LED strobe

This dual high output EN54 compliant LED strobe provides a high efficiency, low power solution for alarm signalling in an easy to install design.

The pre-alarm and alarm modes are individually monitored and operate different flash functions.

This VAD (visual alarm device) has a unique first fix installation method in the base enabling quick installation to provide a competitive solution.

The high quality and robust design ensures that the user has trouble free operation over the life of the product, even in tough environments.

With a range of selectable flash options, the product is suitable for a wide range of applications.



Key Features

- Quick First fix installation
- Wide operating voltage
- Low power consumption
- High output mode
- Individual reverse polarity monitoring of pre-alarm and alarm circuits
- Selectable flash options
- Fully synchronised
- IP65 rated with Deep base
- Large EN54-23 coverage area

Key Benefits

- 4 flash modes
- 18 to 56Vdc operating voltage range
- Low power and high output modes
- Up to W-5-12 coverage (switch selectable)
- Up to 720m³ coverage volume
- Available in Red or White (other colours available Non approved)

Applications

Hospitals, Shopping Malls, Commercial and Industrial sites, Power stations, Airports, Stadiums etc..

Where 2 stages of visual alarm are required with a high output

Where low power consumption is required with a high light output

Product data

Specification

	Compliant operating range	
Supply voltage range	18—56 V dc	
Current consumption @ 24Vdc	20mA to 60mA dependent on setting	
Cable monitoring	Reverse polarity monitoring	
Terminal size	0.28 to 2.5mm ² conductor	
LED Configuration	Red or White LED's	
Mounting	Wall	
EN54 –23 coverage	See table A below Up to 720m ³ coverage volume	
Flash options	High and low output, 1s and 2s flash rates DIL switch selectable	
Material	V0 rated ABS base, V0 Polycarbonate lens	
Weight	514g	
Base colour	White or Red	
Lens colour	Clear or Red	
Fixing method	Body to base – Bayonet auto connect, Base to wall - Screw	
Operating temperature	–25°C to +75°C	
IP Rating	Type B and IP65	

Dimensions

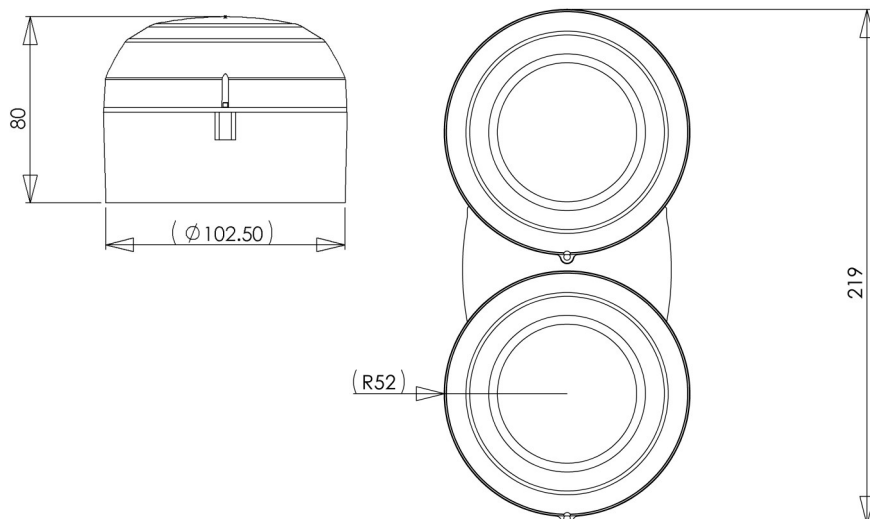


Table A

Switch Number	Function	DUO VAD EN54-23 code / coverage volume	
1 2 3		WHITE flash	RED & White flash
0 0 0	1s Low power	W-3-8/192m ³	W-3-8/192m ³
0 0 1	1s High power	W-5-12/720m ³	W-5-12/720m ³
0 1 0	2s Low power	W-3-8/192m ³	W-3-8/192m ³
0 1 1	2s High power	W-5-12/720m ³	W-5-12/720m ³

Order codes

DUO-R-RW
DUO-W-RW

Double Red deep base with Red and White high output strobes fitted
Double White deep base with Red and White high output strobes