

ENB100

EN54-23 approved High output LED VAD

This high output EN54 approved LED VAD provides a high efficiency, low power solution for alarm signalling in an easy to install design.

The alarm mode is monitored and the FPC circuit ensures flash brightness levels are consistent.

This VAD (visual alarm device) has a unique first fix installation method in the base enabling quick installation to provide a competitive solution.

The high quality and high coverage design ensures that the user has trouble free operation over the life of the product at minimal installed cost.

With a range of selectable flash options, the product is suitable for a wide range of applications.



Key Features

- Quick First fix installation
- Wide operating voltage up to 56Vdc
- Low power consumption
- High output mode
- Reverse polarity monitoring
- Selectable flash options
- Fully synchronised
- IP65 and Type B approved with Deep base
- Large W3.5-13.4 628m³ EN54-23 coverage

Applications

Hospitals, Shopping Malls, Commercial and Industrial sites, Power stations, Airports, Railway stations, Stadiums etc.. Where vandal resistant products are required.
Where low power consumption is required with a high light output

Key Benefits

Reduces costs where multiple VAD are required.

Full synchronisation across tones and flashes on all products in the range enabling very flexible system upgrades and changes.

Cover areas with fewer devices to reduce installation costs
Robust and reliable, lower maintenance costs

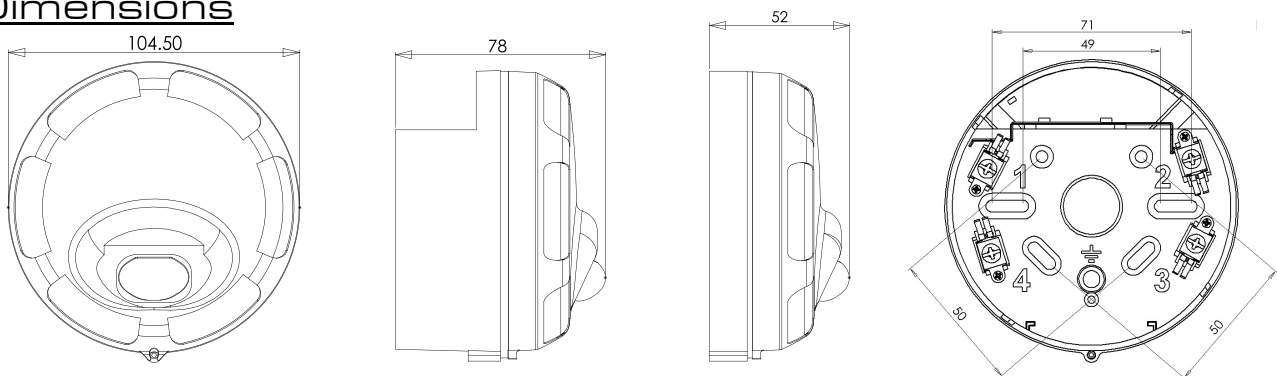
High specification and efficiency simplifies product selection

Product data

Specification

	Compliant operating range
Supply voltage range	18—56 V dc
Current consumption @ 24Vdc	12mA to 60mA dependent on version and setting
Cable monitoring	Reverse polarity monitoring
Terminal size	0.28 to 2.5mm ² conductor
LED Configuration	Red or White LED's
Mounting	Wall
EN54 -23 coverage	Up to 628m ³
Flash options	High and low output, 1s and 2s flash rates DIL switch selectable
Material	V0 rated ABS base, V0 Polycarbonate lens
Weight	220g
Base colour	White or Red
Lens colour	Clear or Red
Fixing method	Body to base – Bayonet auto connect, Base to wall - Screw
Operating temperature	-25°C to +75°C
IP Rating	Type B ; IP65 (deep base)

Dimensions



VAD coverage

Switch Number	Function	ENB100 VAD EN54-23 code / coverage volume		ENB100*-HO VAD EN54-23 code / coverage volume	
		WHITE flash	RED flash	WHITE flash	RED flash
0 0 0	1s Low power	W-2.4-6/86m ³	W-2.4-5/60m ³	W-2.4-10/240m ³	W-2.4-8/153m ³
0 0 1	1s High power	W-2.4-7.6/138m ³	W-2.4-6.2/92m ³	W-3.5-13.4/628m ³	W-2.4-10/240m ³
0 1 0	2s Low power	W-2.4-6/86m ³	W-2.4-5/60m ³	W-2.4-10/240m ³	W-2.4-8/153m ³
0 1 1	2s High power	W-2.4-7.6/138m ³	W-2.4-6.2/92m ³	W-3.5-13.4/628m ³	W-2.4-10/240m ³

Order codes

ENB100R-W-D	White high output strobe with red deep IP65 Type B base
ENB100R-R-D	Red high output strobe with red deep IP65 Type B base
ENB100R-W-S	White high output strobe with red shallow Type B base
ENB100R-R-S	Red high output strobe with red shallow Type B base
ENB100R-W-D-HO	White high coverage , high output strobe with red deep IP65 Type B base
ENB100R-R-D-HO	Red high coverage , high output strobe with red deep IP65 Type B base
ENB100R-W-S-HO	White high coverage , high output strobe with red shallow Type B base
ENB100R-R-S-HO	Red high coverage , output strobe with red shallow Type B base